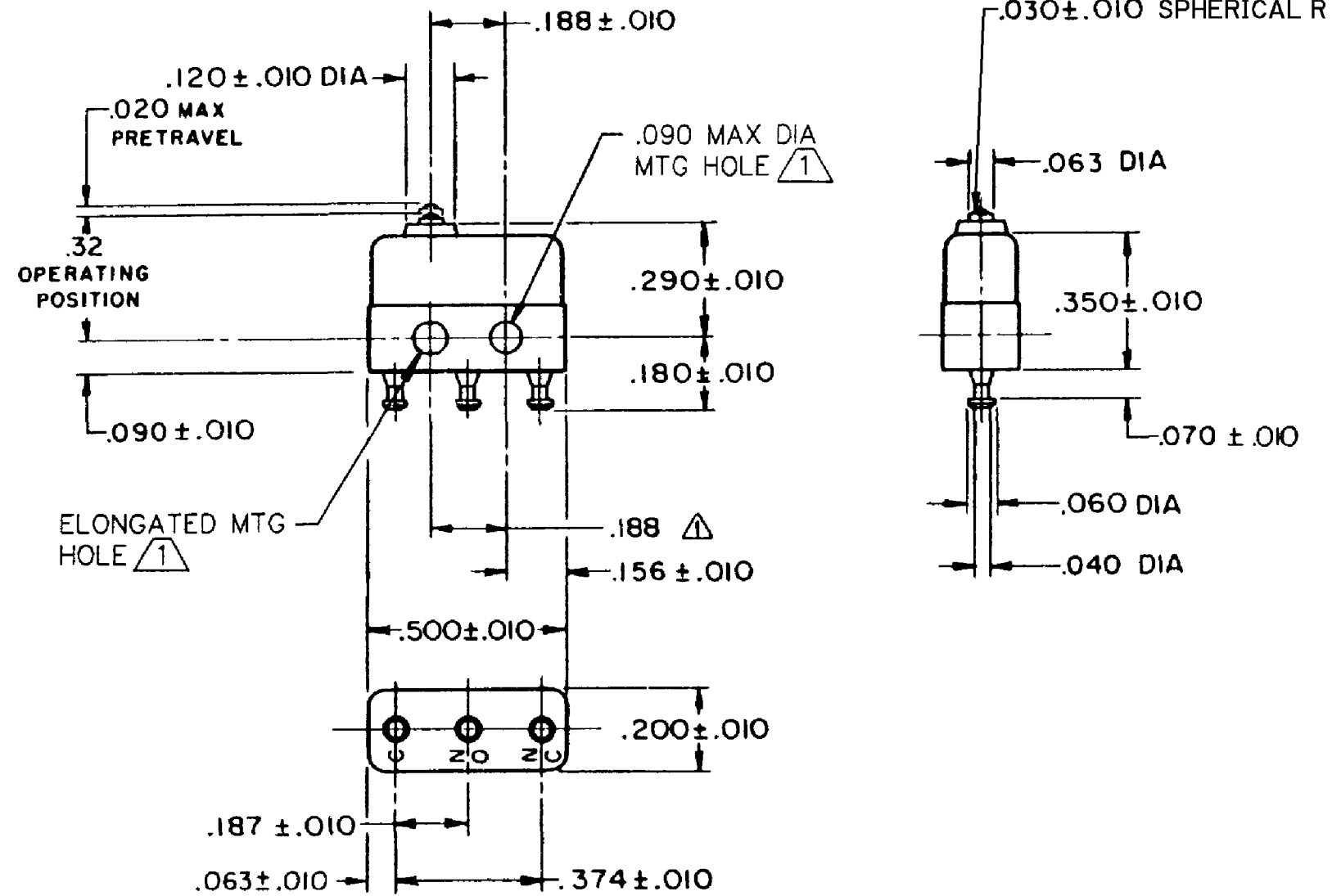
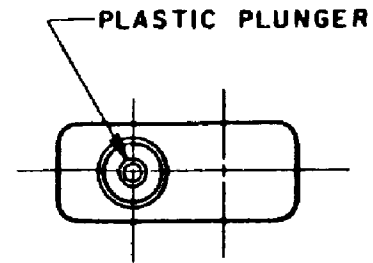


HONEYWELL  
PART NUMBER  
1SX48-T  
PRODUCT CODE  
VDA4300

REV	DOCUMENT	CHANGED BY	CHECK
8	0038446	KVB 20MAY08	BLR



RELEASE NO. SR-12825

REPLACES -

CHARACTERISTICS	
OPERATING FORCE	5 OZ MAX
RELEASE FORCE	1 OZ MIN
DIFFERENTIAL TRAVEL	.005 MAX
OVERTRAVEL	.010 MIN

ELECTRICAL DATA		
CONTACT ARRANGEMENT SPDT		
28 VOLTS DC RATING		
	SEA LEVEL	50,000 FT
INDUCTIVE	4 AMP	2.5 AMP
RESISTIVE	7 AMP	7 AMP
MAXIMUM INRUSH 24 AMP		
KEMA, CE	7A 250V ~ T125 5E4	CE
UL, CSA	7A 250 VAC	UL BRAND L7

DESIGN UNITS: INCH
TOLERANCES UNLESS NOTED:
NO PLACE X ±
ONE PLACE .X ±
TWO PLACE .XX ±
THREE PLACE .XXX ±
FOUR PLACE .XXXX ±
ANGLES ±
THIRD ANGLE PROJECTION

DRAWN	SPK	03DEC07
CHECK	RJ	03DEC07
THIS DRAWING COVERS A PROPRIETARY ITEM AND IS THE PROPERTY OF HONEYWELL. THIS DRAWING IS NOT TO BE COPIED OR USED WITHOUT THE PERMISSION OF HONEYWELL.		
INTERPRET PER ANSI Y14.5M-1982 OTHER HONEYWELL ENGINEERING STANDARDS MAY APPLY		
RASTER		

<b>Honeywell</b>			
TITLE SWITCH - BASIC			
SIZE	TYPE	DRAWING NAME	REV
B	I	1SX48-T	8
SCALE	-	WEIGHT: .003 LB MAX	SHEET 1 OF 1